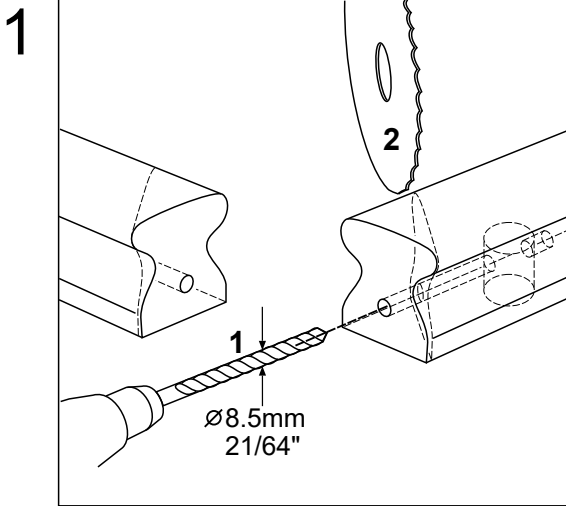
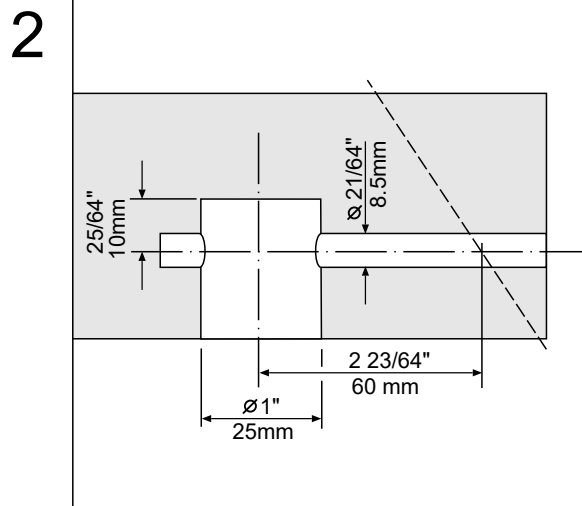


INSTALLATION INSTRUCTIONS

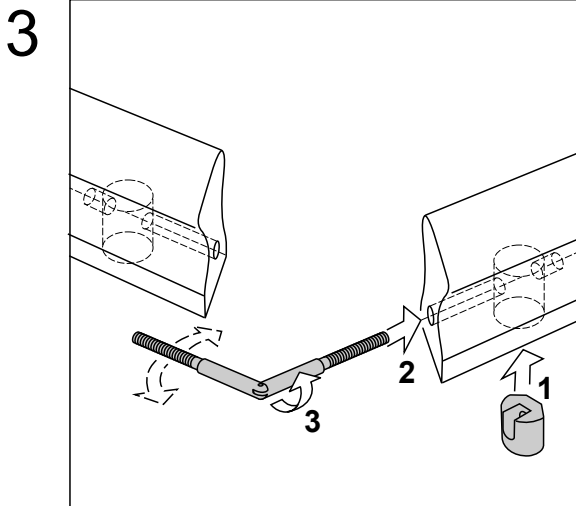
11.600 - Maxi Mitre (8mm x 135 mm)



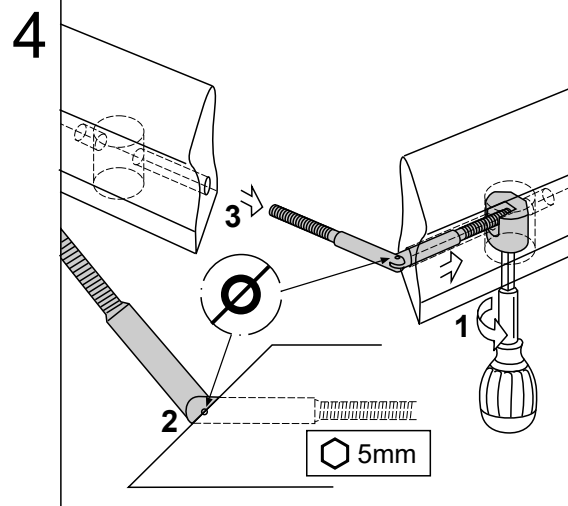
- 1) Mark out the hole positions and where the angle will be cut.
- 2) Bore the 25mm - 1" hole first.
- 3) Bore the 8.5mm - 21/64" hole.
- 4) Now cut the angles. **Do not cut the angle first.**
- 5) If needed deepen 8.5mm - 26/64" hole.



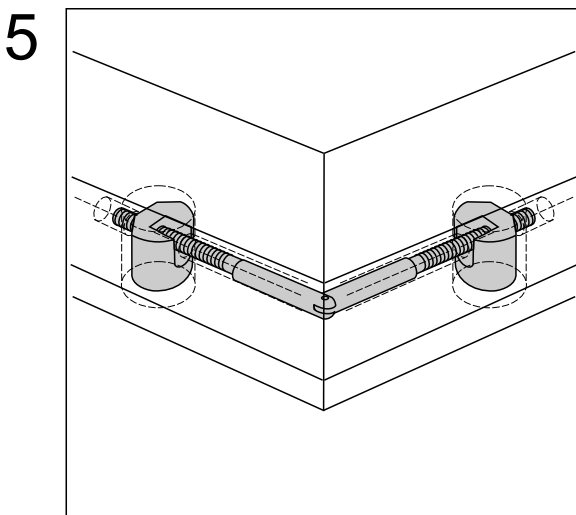
Bore the railing according to specifications, if needed the connector can be set deeper into the material.



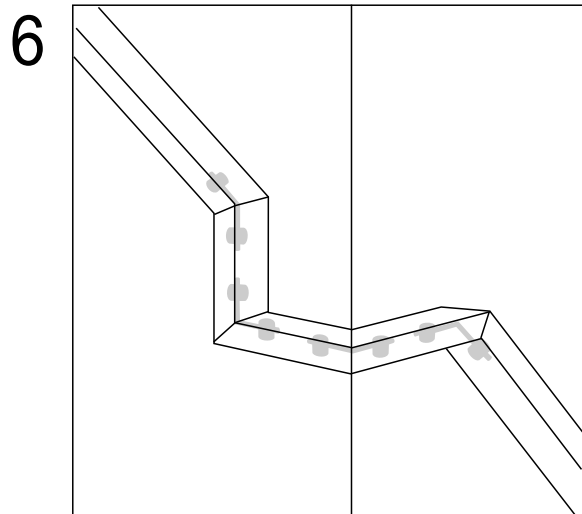
Engage the screw shaft into the gear head turning the shaft anti clockwise **or** tighten the gear housing clockwise with 5mm hex bit in a hand driver.



Tighten until the shaft pivot is intersected by the cut angle, engage the other side with the gear housing and tighten.



To perfectly align the angle, adjust by releasing one gear housing 1-2 turns then tighten the other gear housing. Plugging the 25mm/1" hole is optional.



The Maxi Mitre allows any angle configuration, gear housings can be entered from any side of the material depending on thickness. All angles between 90-180 degrees are possible.